

Pen holder Materials and Stats

Linear bearings

<https://www.ebay.com/itm/125212709351>

or

<https://www.ebay.com/itm/313619647318>



Image source:

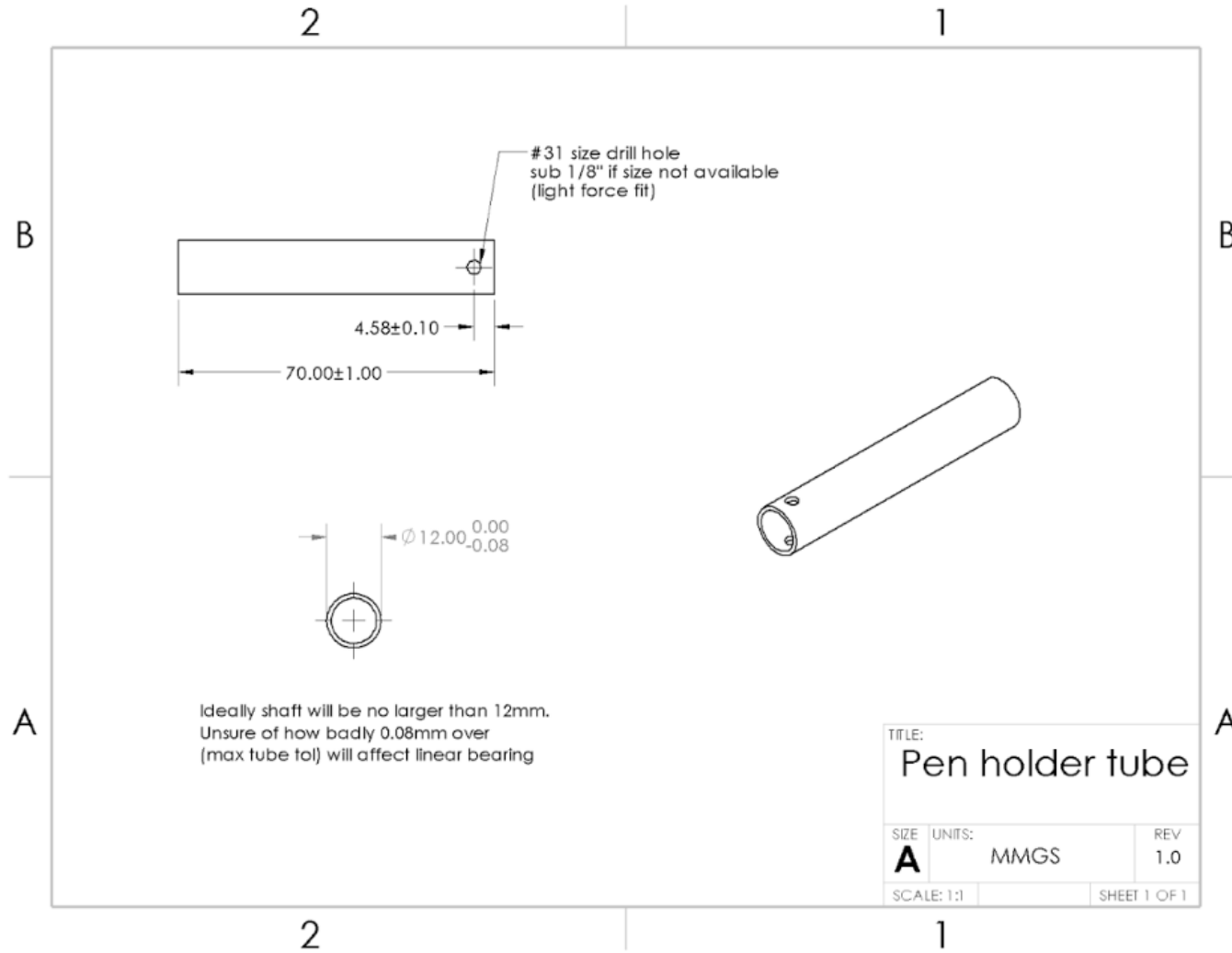
<https://i.ebayimg.com/images/g/J-4AAOSwm-9iNwKp/s-l500.jpg>

Image by aton-sales:

https://www.ebay.com/str/atonsales?_trksid=p2047675.m145687.l149267

Tubing

<https://www.mcmaster.com/6045N11/>



Springs		Out side diamet	Inner diameter	Wire diameter	Length				
Compression springs		0.42"	0.358"	0.031"	1 1/4" (1.25)				
link	https://www.mcmaster.com/products/springs/spring-type~compression/compression-springs-7/length~1-1-4/od~0-42/wire-diameter~0-031/								
Screws			size	count					
Robot end effector connection screws			M4x0.7mm	6					
Parts connection screws			M3x40mm	6					
linear bearing connection screws			M3x10mm	4					
Insert	size	count							
Insert nuts	M3-D5-L4.5	10							
Pin		Length	Diameter						
Full-Groove Dowel Pin		1"	1/8"						
Link	https://www.mcmaster.com/products/pins/full-groove-dowel-pins/diameter~1-8/length~1/								

